

T600 SERIES PROJECT-IN (HOPPER)

FEATURES

- ◇ Commercial Framing System
 - 3 1/4" main frame
 - 0.094" wall thickness of interior and exterior walls, 0.078" wall thickness elsewhere
- ◇ Thermally Enhanced Design
 - Azon pour and debridge thermal break is 1/2" wide in all main frame and vent rail extrusions
 - Assembled with heavy duty Monticelli cast aluminum corner keys
 - Mitered and pressure sealed internally with injected silicone through corner key passages.
 - Wrap-around marine glazing
- ◇ Glazing
 - 1" insulating glass
- ◇ Hardware
 - 4-Bar hinges
 - Low profile cam handle
 - Pole Operated handle
 - Custodial lock
- ◇ Screen
 - Extruded aluminum screen frame with BetterVue™ mesh with Watershed® technology

OPTIONS

- ◇ Available Configurations
 - Project-in (Hopper)
- ◇ Muntin Choices
 - Internal or simulated divided lites available
- ◇ Limited travel hardware
- ◇ Screen
 - Extruded aluminum screen frame with aluminum wire mesh
 - Extruded aluminum screen frame with sunscreen mesh
 - Extruded aluminum screen frame with stainless steel 0.009" thickness mesh
- ◇ Glazing
 - Multiple Low-E and argon glazing choices
 - Capillary tubes
 - Optional glazing stop to accept 1 3/8" (triple) glazing
 - Wide variety of glazing, tinting and thickness options
- ◇ Panning & Trim Choices
 - Wide variety of panning, receptor and trim available
- ◇ Mulling
 - Wide variety of structural mulls

BENEFITS

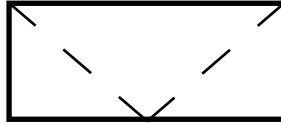
- ◇ The capacity to match exterior colors for unique project facades
- ◇ The ability to facilitate large sizes for taller and wider window openings

PERFORMANCE

- ◇ Structural & Thermal (test reports or thermal simulations available upon request)

Model	Project-In (Hopper)
Test Size	60" x 36"
NAFS Rating	AW-PG70
Structural Load P.S.F.	105.26
Air at 50 MPH (cfm/ft ²)	<0.10
Water (No Penetration) P.S.F.	12.11
U-Value (ranges based on multiple Low-E/Argon combinations)	0.43-0.47
SHGC (ranges based on multiple Low-E/Argon combinations)	0.12-0.41

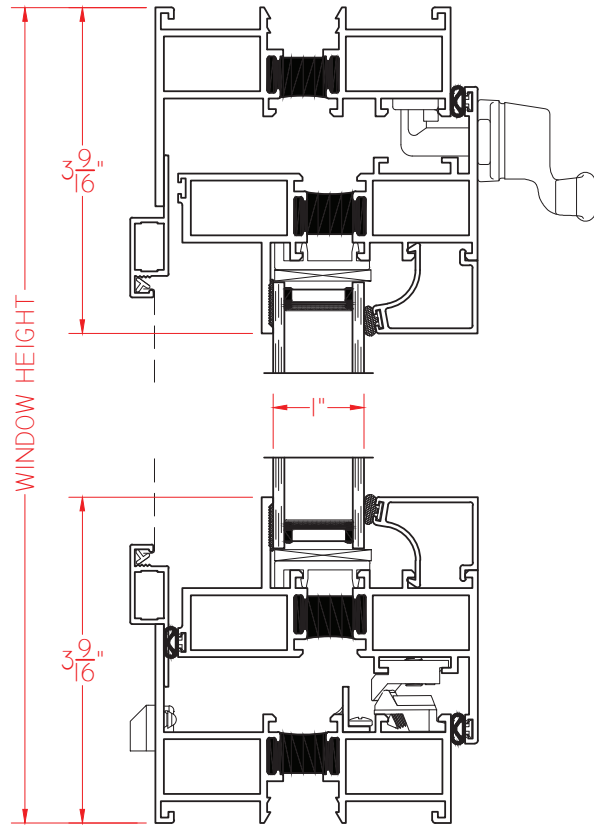
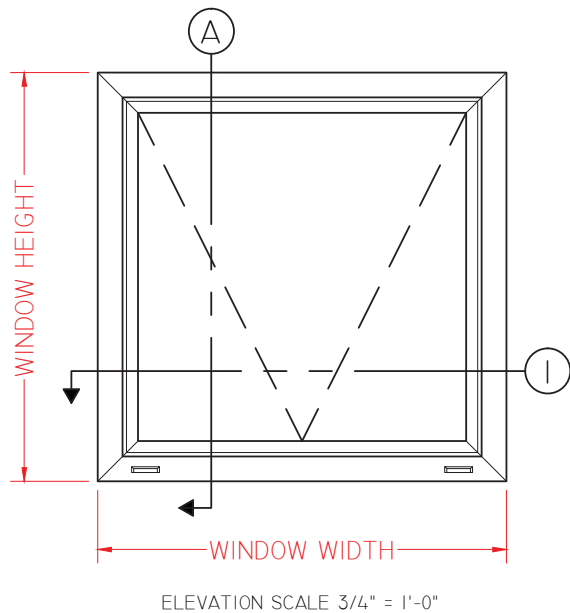
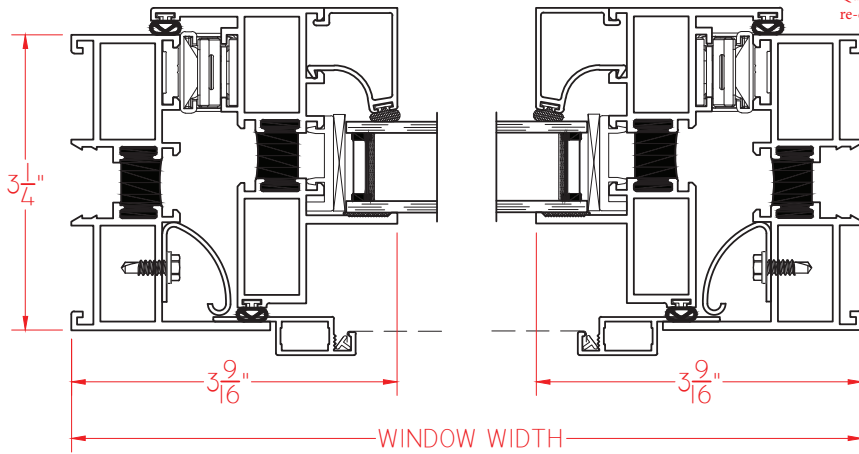
Operating Force: 12 lbf (maintain motion), 9 lbf (latches)



T600 Series 3 1/4" Frame Depth Project-In (Hopper)

T600 PROJECT-IN (HOPPER)

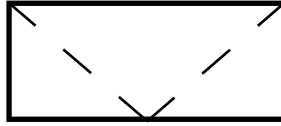
This document contains confidential and proprietary information intended for the private use of Quaker.
 © 2016 Quaker Window Products Co., INC. All rights reserved.
 Quaker reserves the right to change any/all designs without notice. Due to periodic re-certification requirements, result shown may vary.



SCALE 1:2

Our products are tested to the standards of and certified by some of the foremost organizations in the fenestration industry.

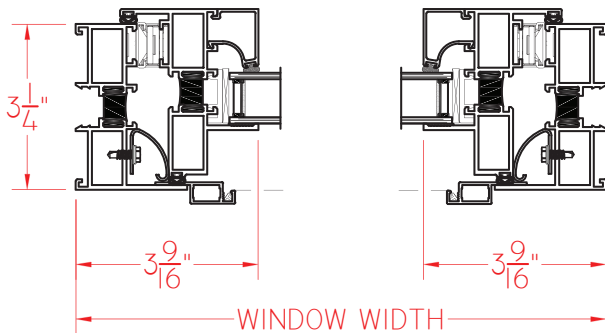
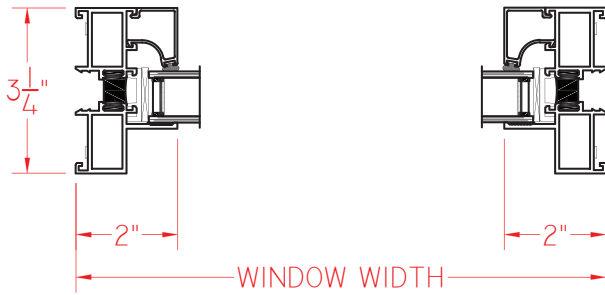




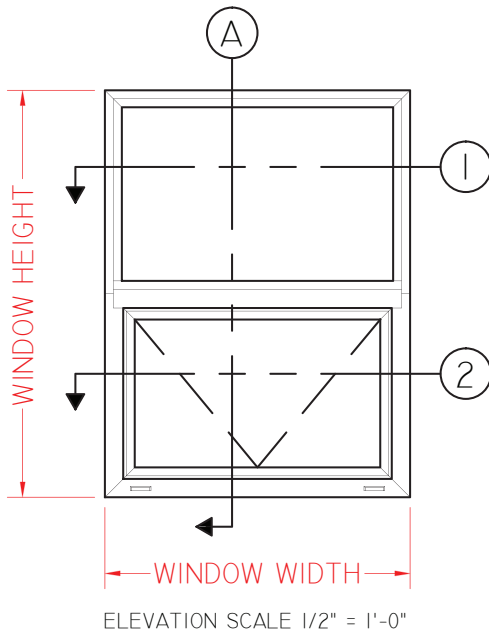
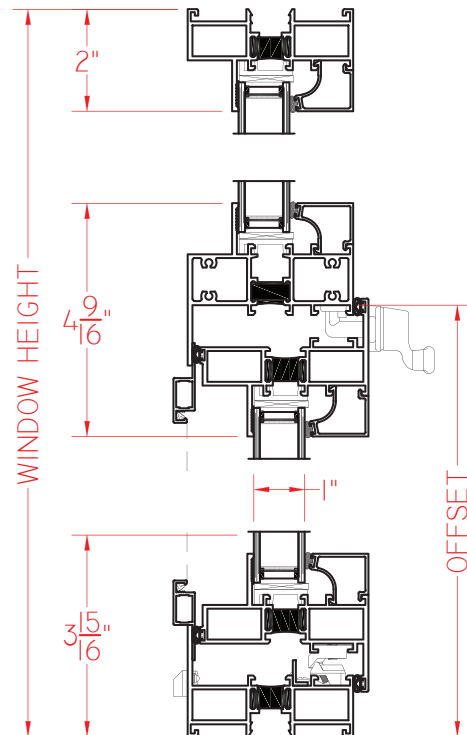
T600 Series
3 1/4" Frame Depth
Project-In (Hopper)

T600 PROJECT-IN (HOPPER) / FIXED

This document contains confidential and proprietary information intended for the private use of Quaker.
© 2016 Quaker Window Products Co., INC. All rights reserved.
Quaker reserves the right to change any/all designs without notice. Due to periodic re-certification requirements, result shown may vary.



Ⓐ VERTICAL CROSS SECTION



Our products are tested to the standards of and certified by some of the foremost organizations in the fenestration industry.



SCALE 1:4